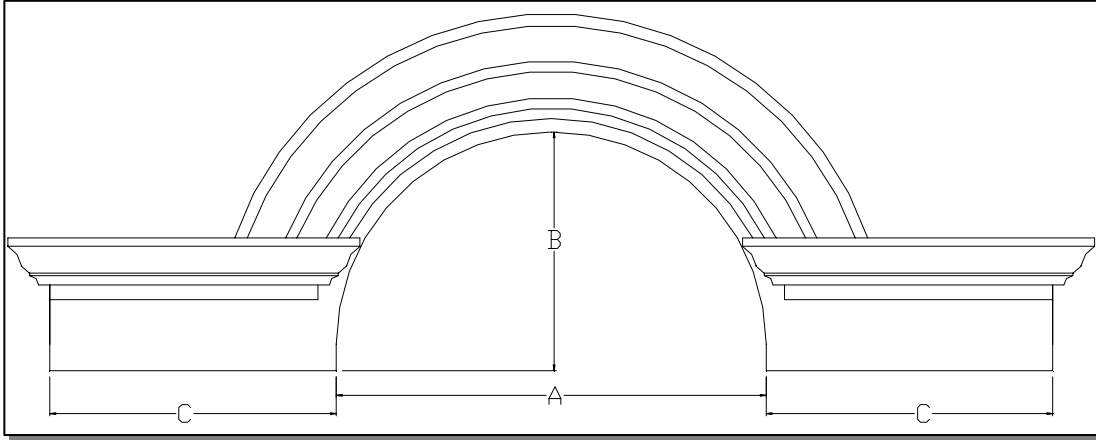




Quote Request Sheet

# Palladian Arches



A= \_\_\_\_\_  
 B= \_\_\_\_\_  
 C= \_\_\_\_\_

Arch Style	Flanker Style
<input type="radio"/> 102 Series	<input type="radio"/> 985 Style
<input type="radio"/> 55 Series	<input type="radio"/> 685G Style
<input type="radio"/> 585 Series	
<input type="radio"/> 89 Series	

Keystone (K)  
 Sunburst (S)

Item #: AMS \_\_\_\_\_

QTY: \_\_\_\_\_

Requested by: \_\_\_\_\_ Date: \_\_\_\_ / \_\_\_\_ / \_\_\_\_

Company Name: \_\_\_\_\_ Approved By: \_\_\_\_\_

Date Approved: \_\_\_\_\_

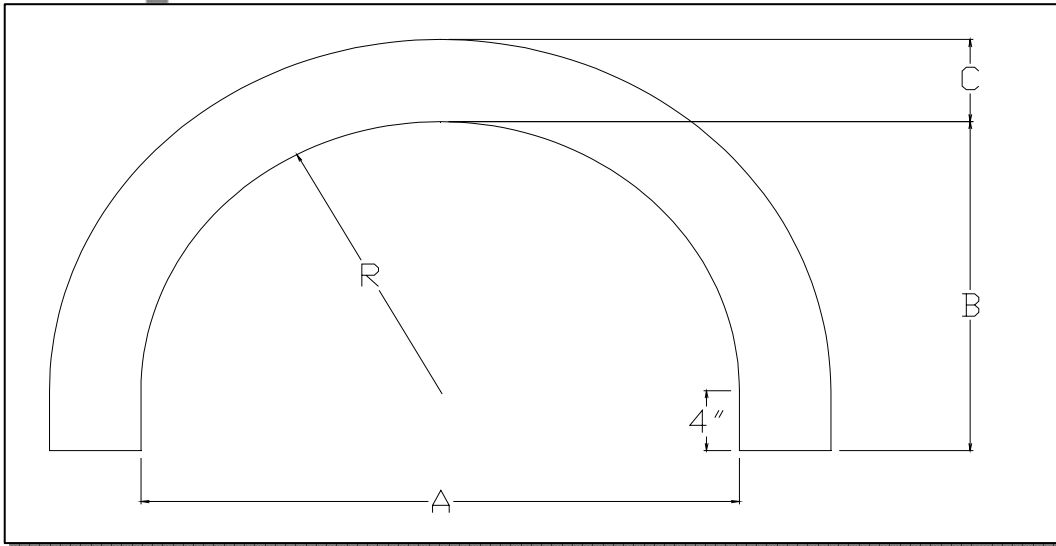
Special Request Notes: \_\_\_\_\_  
 \_\_\_\_\_  
 \_\_\_\_\_

For Office Use Only:	Order#: _____
Ship Via	Cust#: _____
<input type="checkbox"/> Common Carrier	DWG#: _____
<input type="checkbox"/> RBP Truck	



Quote Request Sheet

# Flat Arches



A= \_\_\_\_\_ C= \_\_\_\_\_  
 B= \_\_\_\_\_ R= \_\_\_\_\_

- Thickness
- 1/2"
  - 5/8"
  - 1"
  - 1-1/2"

Keystone (K)

Item #: FA \_\_\_\_\_

QTY: \_\_\_\_\_

Requested by: \_\_\_\_\_

Date: \_\_\_\_ / \_\_\_\_ / \_\_\_\_

Company Name: \_\_\_\_\_

Approved By: \_\_\_\_\_

Date Approved: \_\_\_\_\_

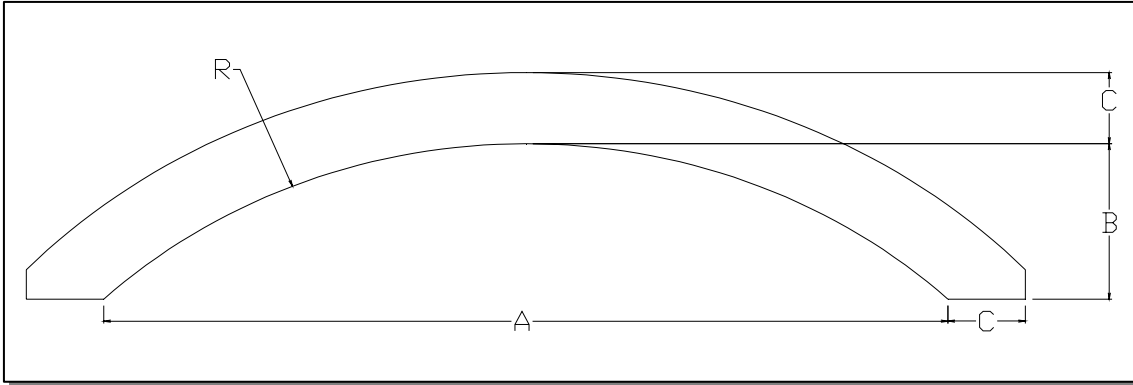
Special Request Notes: \_\_\_\_\_  
 \_\_\_\_\_  
 \_\_\_\_\_

For Office Use Only:	Order#: _____
Ship Via	Cust#: _____
<input type="checkbox"/> Common Carrier	DWG#: _____
<input type="checkbox"/> RBP Truck	



# Quote Request Sheet

## Flat Arche Tops



A= \_\_\_\_\_ C= \_\_\_\_\_

B= \_\_\_\_\_ R= \_\_\_\_\_

Thickness	<input type="checkbox"/> Keystone (K)
<input type="radio"/> 1/2"	
<input type="radio"/> 5/8"	
<input type="radio"/> 1"	
<input type="radio"/> 1-1/2"	

Item #: AT \_\_\_\_\_

QTY: \_\_\_\_\_

Requested by: \_\_\_\_\_

Date: \_\_\_\_ / \_\_\_\_ / \_\_\_\_

Company Name: \_\_\_\_\_

Approved By: \_\_\_\_\_

Date Approved: \_\_\_\_\_

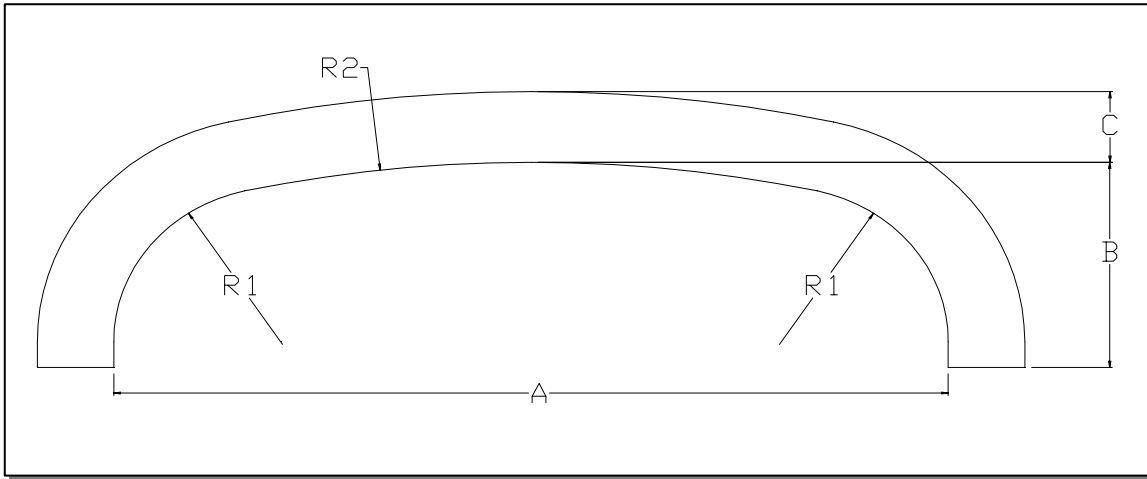
Special Request Notes: \_\_\_\_\_  
 \_\_\_\_\_  
 \_\_\_\_\_

For Office Use Only:	Order#: _____
Ship Via	Cust#: _____
<input type="checkbox"/> Common Carrier	DWG#: _____
<input type="checkbox"/> RPB Truck	



# Quote Request Sheet

## Flat Arche Tops



A= \_\_\_\_\_ C= \_\_\_\_\_  
 B= \_\_\_\_\_ R1= \_\_\_\_\_  
 R2= \_\_\_\_\_

Thickness

1/2"

5/8"

1"

1-1/2"

Keystone (K)

Item #: \_\_\_\_\_

QTY: \_\_\_\_\_

Requested by: \_\_\_\_\_

Date: \_\_\_\_ / \_\_\_\_ / \_\_\_\_

Company Name: \_\_\_\_\_

Approved By: \_\_\_\_\_

Date Approved: \_\_\_\_\_

Special Request Notes: \_\_\_\_\_

\_\_\_\_\_

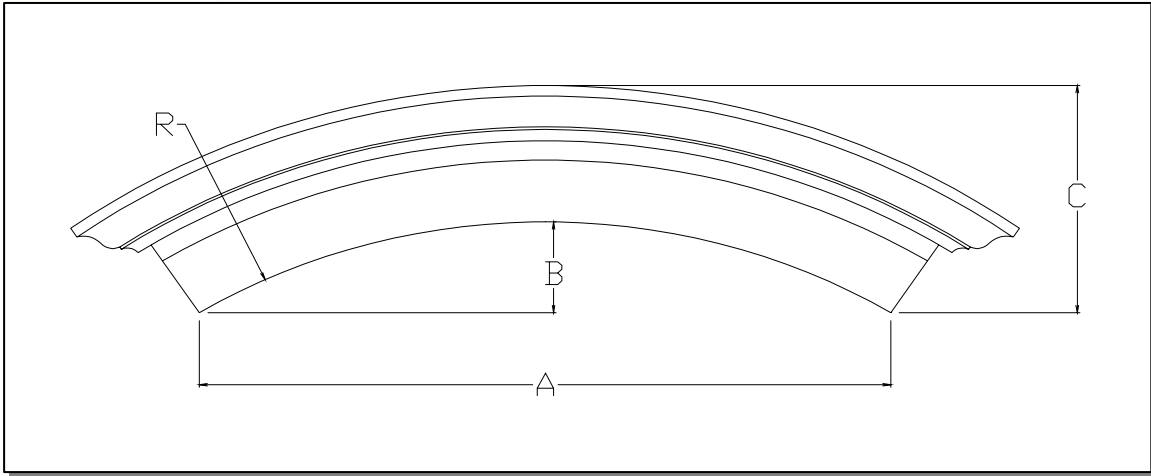
\_\_\_\_\_

For Office Use Only:	Order#: _____
Ship Via	Cust#: _____
<input type="checkbox"/> Common Carrier	DWG#: _____
<input type="checkbox"/> RBP Truck	



# Quote Request Sheet

## Arched Crossheads



A= \_\_\_\_\_ C= \_\_\_\_\_  
 B= \_\_\_\_\_ R= \_\_\_\_\_

Style \_\_\_\_\_  
 985

- Keystone (K)  
 Brest Board (B)

Item #: \_\_\_\_\_

QTY: \_\_\_\_\_

Requested by: \_\_\_\_\_

Date: \_\_\_\_ / \_\_\_\_ / \_\_\_\_

Company Name: \_\_\_\_\_

Approved By: \_\_\_\_\_

Date Approved: \_\_\_\_\_

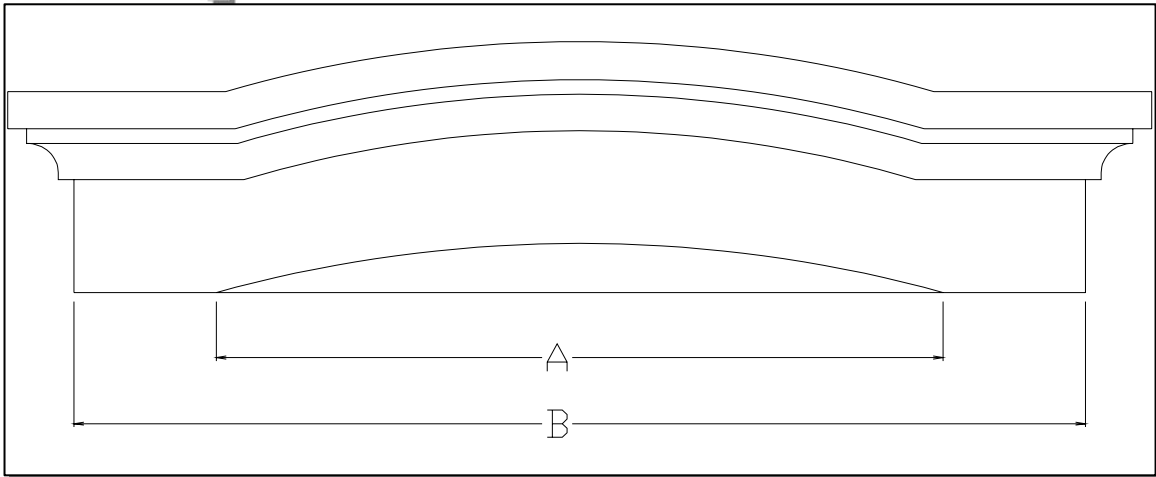
Special Request Notes: \_\_\_\_\_  
 \_\_\_\_\_  
 \_\_\_\_\_

For Office Use Only:	Order#: _____
Ship Via	Cust#: _____
<input type="checkbox"/> Common Carrier	DWG#: _____
<input type="checkbox"/> RBP Truck	



# Quote Request Sheet

## Arched Crossheads



A= \_\_\_\_\_

B= \_\_\_\_\_

Item #: A8510/ \_\_\_\_\_

QTY: \_\_\_\_\_

Requested by: \_\_\_\_\_

Date: \_\_\_\_ / \_\_\_\_ / \_\_\_\_

Company Name: \_\_\_\_\_

Approved By: \_\_\_\_\_

Date Approved: \_\_\_\_\_

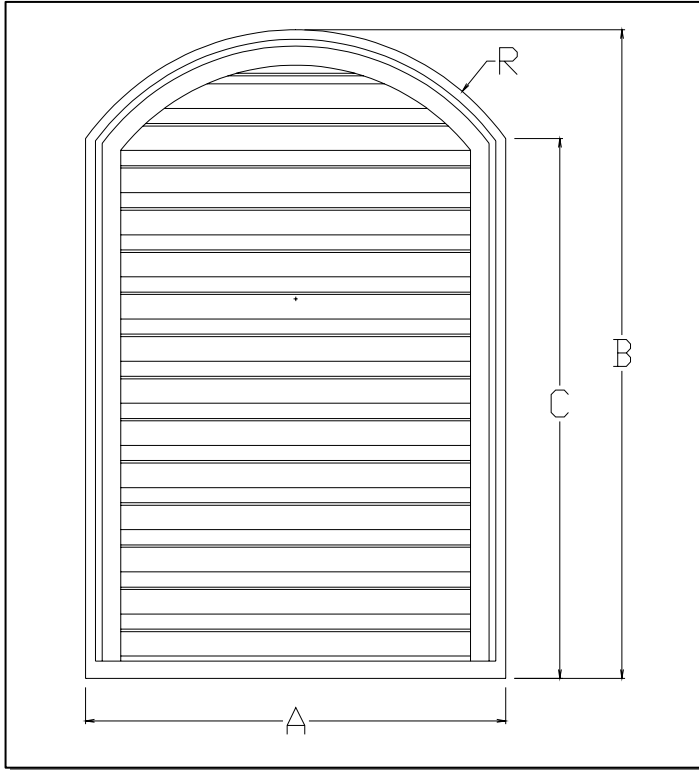
Special Request Notes: \_\_\_\_\_  
\_\_\_\_\_  
\_\_\_\_\_

For Office Use Only:	Order#: _____
Ship Via	Cust#: _____
<input type="checkbox"/> Common Carrier	DWG#: _____
<input type="checkbox"/> RBP Truck	



Quote Request Sheet

# Eyebrow Louver



A= \_\_\_\_\_

B= \_\_\_\_\_

C= \_\_\_\_\_

R= \_\_\_\_\_

Circle One  Decorative / Functional

Item #: 66EB \_\_\_\_\_

QTY: \_\_\_\_\_

Requested by: \_\_\_\_\_

Date: \_\_\_\_ / \_\_\_\_ / \_\_\_\_

Company Name: \_\_\_\_\_

Approved By: \_\_\_\_\_

Date Approved: \_\_\_\_\_

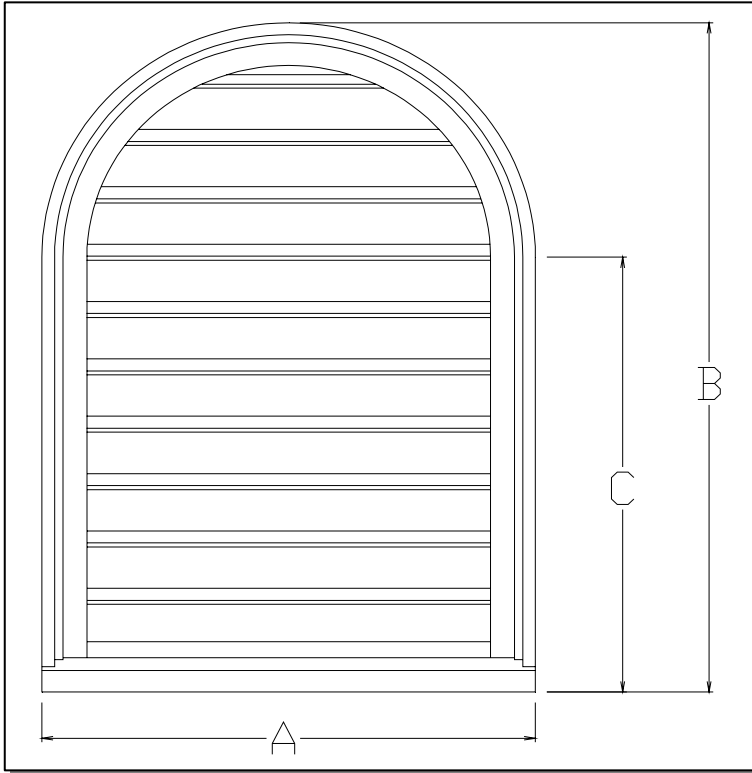
Special Request Notes: \_\_\_\_\_  
 \_\_\_\_\_  
 \_\_\_\_\_

For Office Use Only:	Order#: _____
Ship Via	Cust#: _____
<input type="checkbox"/> Common Carrier	DWG#: _____
<input type="checkbox"/> RBP Truck	



Quote Request Sheet

# Circle Top Louver



A= \_\_\_\_\_

B= \_\_\_\_\_

C= \_\_\_\_\_

Circle One    
 Decorative / Functional

Item #: 66CT \_\_\_\_\_

QTY: \_\_\_\_\_

Requested by: \_\_\_\_\_

Date: \_\_\_\_ / \_\_\_\_ / \_\_\_\_

Company Name: \_\_\_\_\_

Approved By: \_\_\_\_\_

Date Approved: \_\_\_\_\_

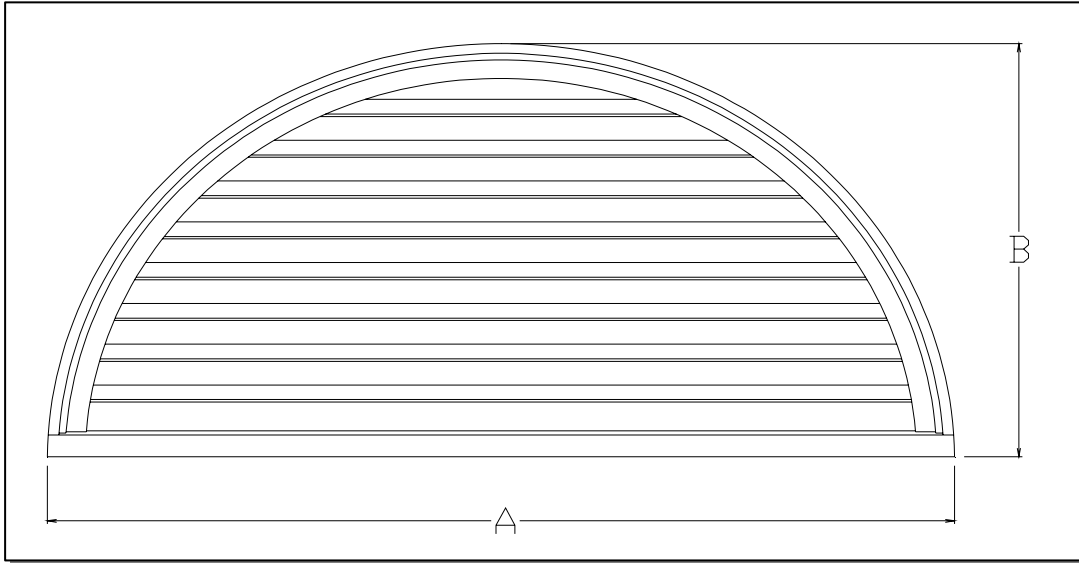
Special Request Notes: \_\_\_\_\_  
 \_\_\_\_\_  
 \_\_\_\_\_

For Office Use Only:	Order#: _____
Ship Via	Cust#: _____
<input type="checkbox"/> Common Carrier	DWG#: _____
<input type="checkbox"/> RBP Truck	



Quote Request Sheet

# Half Round Louver



A= \_\_\_\_\_

B= \_\_\_\_\_

Circle One _____ Decorative / Functional
---

Item #:66H \_\_\_\_\_

QTY: \_\_\_\_\_

Requested by: \_\_\_\_\_

Date: \_\_\_\_ / \_\_\_\_ / \_\_\_\_

Company Name: \_\_\_\_\_

Approved By: \_\_\_\_\_

Date Approved: \_\_\_\_\_

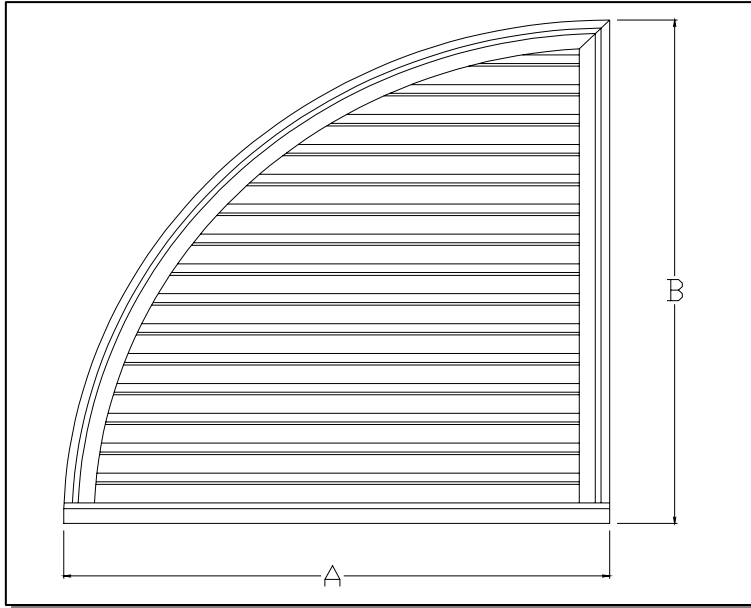
Special Request Notes: \_\_\_\_\_  
 \_\_\_\_\_  
 \_\_\_\_\_

For Office Use Only:	Order#: _____
Ship Via	Cust#: _____
<input type="checkbox"/> Common Carrier	DWG#: _____
<input type="checkbox"/> RBP Truck	



Quote Request Sheet

# Quarter Round Louver



A=\_\_\_\_\_

B=\_\_\_\_\_

Circle One \_\_\_\_\_  
 Decorative / Functional

Item #: 66QRL  
 66QRR

QTY: \_\_\_\_\_

Requested by: \_\_\_\_\_

Date: \_\_\_\_ / \_\_\_\_ / \_\_\_\_

Company Name: \_\_\_\_\_

Approved By: \_\_\_\_\_

Date Approved: \_\_\_\_\_

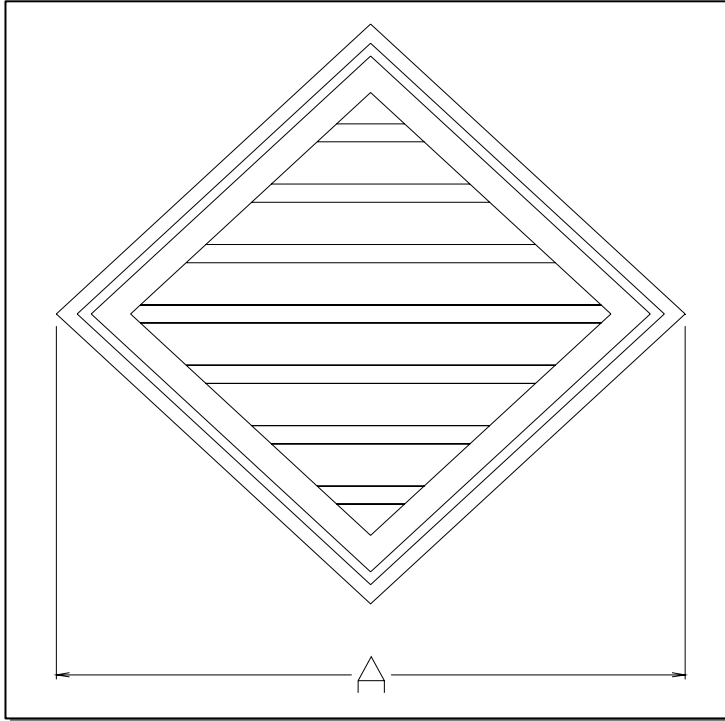
Special Request Notes: \_\_\_\_\_  
 \_\_\_\_\_  
 \_\_\_\_\_

For Office Use Only:	Order#: _____
Ship Via	Cust#: _____
<input type="checkbox"/> Common Carrier	DWG#: _____
<input type="checkbox"/> RBP Truck	



## Quote Request Sheet

# Diamond Louver



A= \_\_\_\_\_

Circle One  \_\_\_\_\_  
Decorative / Functional

Item #: 66D \_\_\_\_\_

QTY: \_\_\_\_\_

Requested by: \_\_\_\_\_

Date: \_\_\_\_ / \_\_\_\_ / \_\_\_\_

Company Name: \_\_\_\_\_

Approved By: \_\_\_\_\_

Date Approved: \_\_\_\_\_

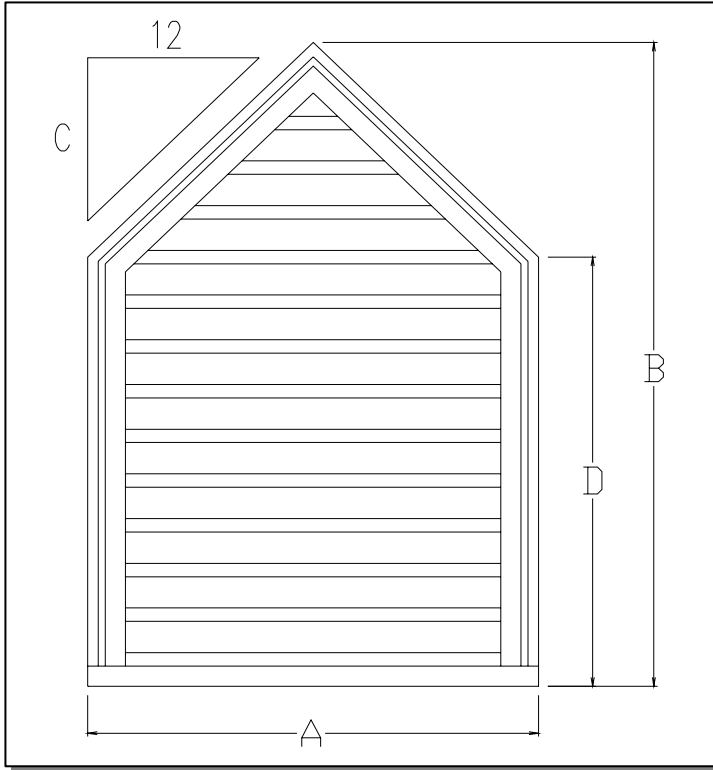
Special Request Notes: \_\_\_\_\_  
\_\_\_\_\_  
\_\_\_\_\_

For Office Use Only:	Order#: _____
Ship Via	Cust#: _____
<input type="checkbox"/> Common Carrier	DWG#: _____
<input type="checkbox"/> RBP Truck	



Quote Request Sheet

# Peaked Top Louver



A= \_\_\_\_\_

B= \_\_\_\_\_

C= \_\_\_\_\_

D= \_\_\_\_\_

Circle One

Decorative / Functional

Item #: 66P \_\_\_\_\_

QTY: \_\_\_\_\_

Requested by: \_\_\_\_\_

Date: \_\_\_\_ / \_\_\_\_ / \_\_\_\_

Company Name: \_\_\_\_\_

Approved By: \_\_\_\_\_

Date Approved: \_\_\_\_\_

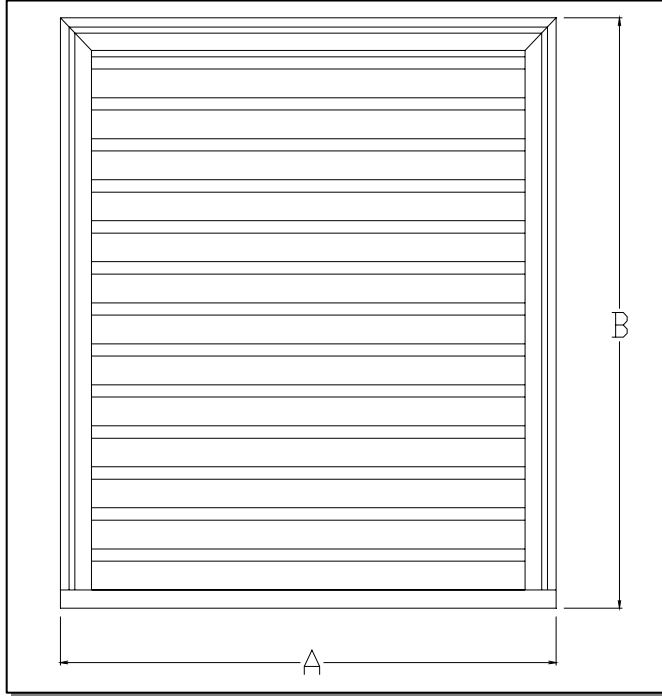
Special Request Notes: \_\_\_\_\_  
 \_\_\_\_\_  
 \_\_\_\_\_

For Office Use Only:	Order#: _____
Ship Via	Cust#: _____
<input type="checkbox"/> Common Carrier	DWG#: _____
<input type="checkbox"/> RBP Truck	



# Quote Request Sheet

## Rectangular Louver



A= \_\_\_\_\_

B= \_\_\_\_\_

Circle One \_\_\_\_\_

Decorative / Functional

Item #: 66RT \_\_\_\_\_

QTY: \_\_\_\_\_

Requested by: \_\_\_\_\_

Date: \_\_\_\_ / \_\_\_\_ / \_\_\_\_

Company Name: \_\_\_\_\_

Approved By: \_\_\_\_\_

Date Approved: \_\_\_\_\_

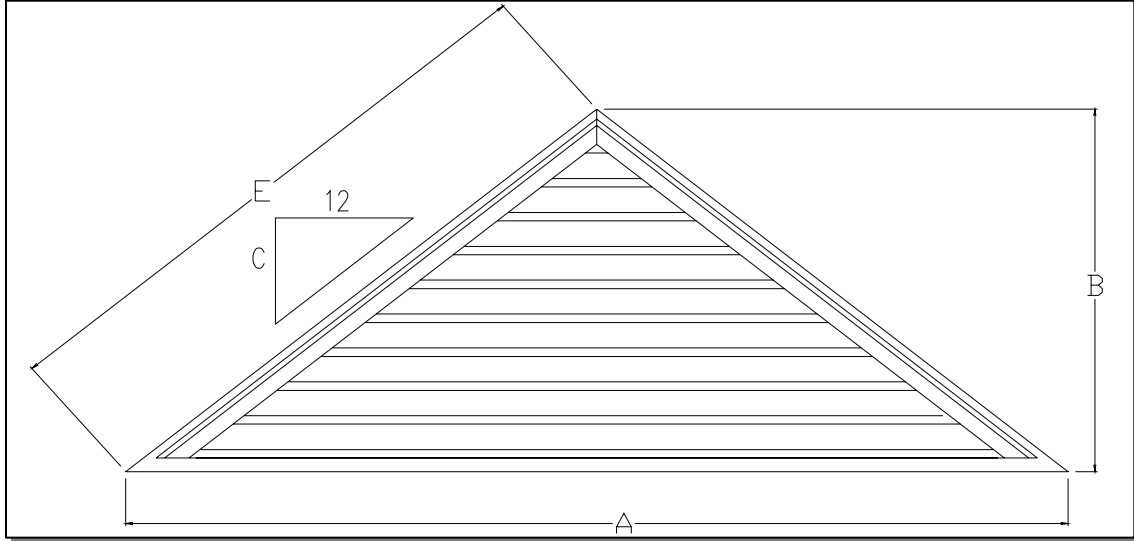
Special Request Notes: \_\_\_\_\_  
\_\_\_\_\_  
\_\_\_\_\_

For Office Use Only:	Order#: _____
Ship Via	Cust#: _____
<input type="checkbox"/> Common Carrier	DWG#: _____
<input type="checkbox"/> RBP Truck	



Quote Request Sheet

# Triangular Louver



A= \_\_\_\_\_ C= \_\_\_\_\_ E= \_\_\_\_\_  
 B= \_\_\_\_\_

Item #: 66TR  
 QTY: \_\_\_\_\_

Circle One \_\_\_\_\_  
 Decorative / Functional

Requested by: \_\_\_\_\_ Date: \_\_\_\_ / \_\_\_\_ / \_\_\_\_

Company Name: \_\_\_\_\_ Approved By: \_\_\_\_\_  
 Date Approved: \_\_\_\_\_

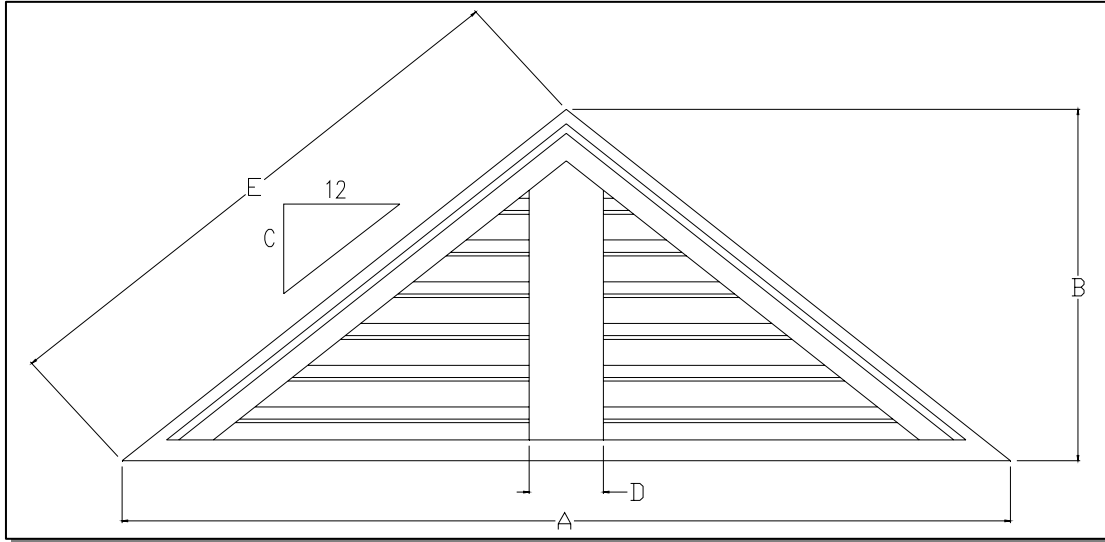
Special Request Notes: \_\_\_\_\_  
 \_\_\_\_\_  
 \_\_\_\_\_

For Office Use Only:	Order#: _____
Ship Via	Cust#: _____
<input type="checkbox"/> Common Carrier	DWG#: _____
<input type="checkbox"/> RBP Truck	



# Quote Request Sheet

## Triangular Louver / Left - Right Combo



A= \_\_\_\_\_ C= \_\_\_\_\_ E= \_\_\_\_\_  
 B= \_\_\_\_\_ D= \_\_\_\_\_

Item #: 66TR  
 QTY: \_\_\_\_\_

Circle One \_\_\_\_\_  
 Decorative / Functional

Requested by: \_\_\_\_\_ Date: \_\_\_\_ / \_\_\_\_ / \_\_\_\_

Company Name: \_\_\_\_\_ Approved By: \_\_\_\_\_  
 Date Approved: \_\_\_\_\_

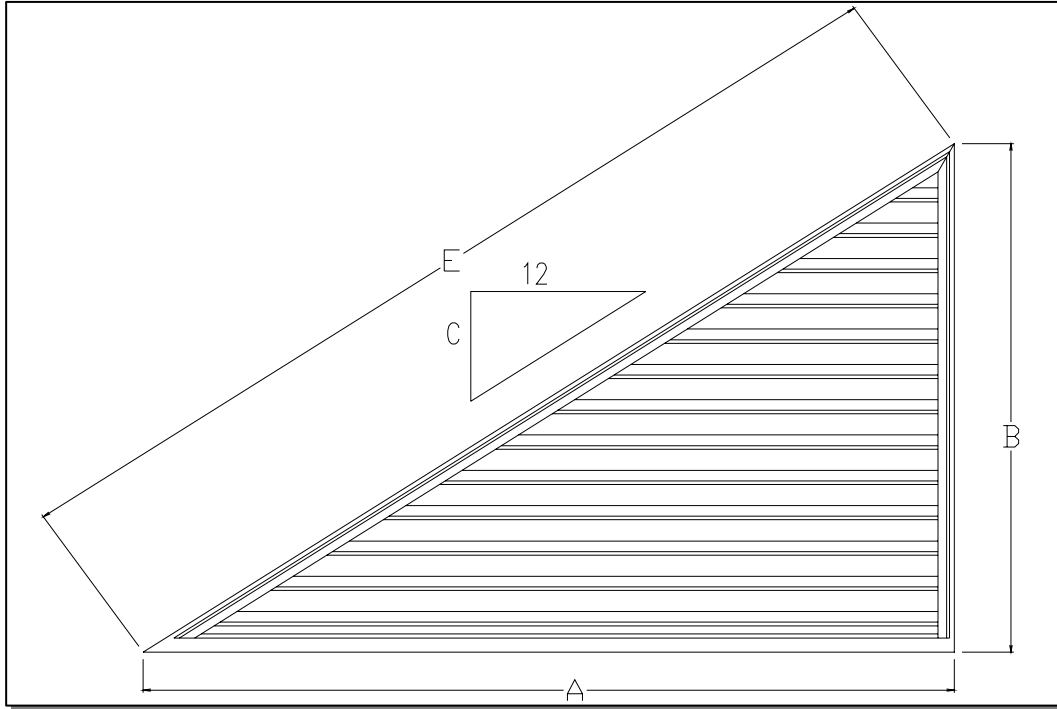
Special Request Notes: \_\_\_\_\_  
 \_\_\_\_\_  
 \_\_\_\_\_

For Office Use Only:	Order#: _____
Ship Via	Cust#: _____
<input type="checkbox"/> Common Carrier	DWG#: _____
<input type="checkbox"/> RBP Truck	



Quote Request Sheet

Triangular Louver - Left / Right



A= \_\_\_\_\_ C= \_\_\_\_\_ E= \_\_\_\_\_  
 B= \_\_\_\_\_

Item #: 66TR \_\_\_\_\_

QTY: \_\_\_\_\_

Circle One _____ Decorative / Functional
---

Requested by: \_\_\_\_\_

Date: \_\_\_\_ / \_\_\_\_ / \_\_\_\_

Company Name: \_\_\_\_\_

Approved By: \_\_\_\_\_

Date Approved: \_\_\_\_\_

Special Request Notes: \_\_\_\_\_

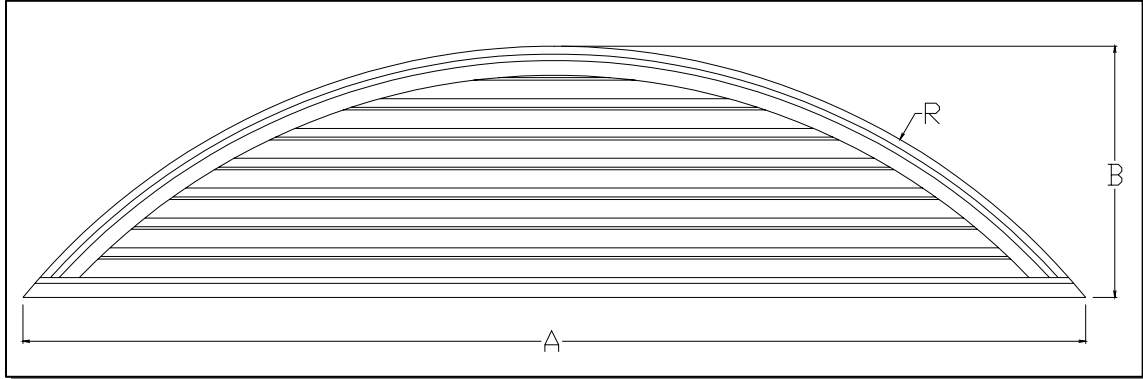
\_\_\_\_\_  
 \_\_\_\_\_

For Office Use Only: Ship Via <input type="checkbox"/> Common Carrier <input type="checkbox"/> RBP Truck	Order#: _____ Cust#: _____ DWG#: _____
---	--



Quote Request Sheet

# Segmented Louver



A= \_\_\_\_\_ R= \_\_\_\_\_  
 B= \_\_\_\_\_

Item #: 66TR  
 QTY: \_\_\_\_\_

Circle One _____ Decorative / Functional
---

Requested by: \_\_\_\_\_ Date: \_\_\_\_ / \_\_\_\_ / \_\_\_\_

Company Name: \_\_\_\_\_ Approved By: \_\_\_\_\_  
 Date Approved: \_\_\_\_\_

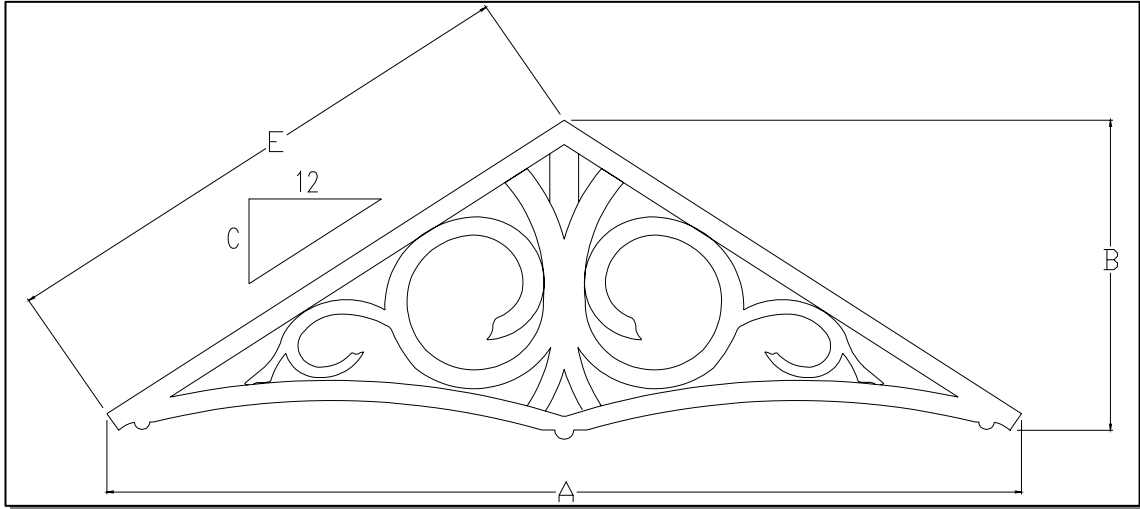
Special Request Notes: \_\_\_\_\_  
 \_\_\_\_\_  
 \_\_\_\_\_

For Office Use Only:	Order#: _____
Ship Via	Cust#: _____
<input type="checkbox"/> Common Carrier	DWG#: _____
<input type="checkbox"/> RBP Truck	



Quote Request Sheet

# Scrolled Gable Decoration



A= \_\_\_\_\_ C= \_\_\_\_\_ E= \_\_\_\_\_

B= \_\_\_\_\_

Item #:SGC \_\_\_\_\_

QTY: \_\_\_\_\_

Requested by: \_\_\_\_\_

Date: \_\_\_\_ / \_\_\_\_ / \_\_\_\_

Company Name: \_\_\_\_\_

Approved By: \_\_\_\_\_

Date Approved: \_\_\_\_\_

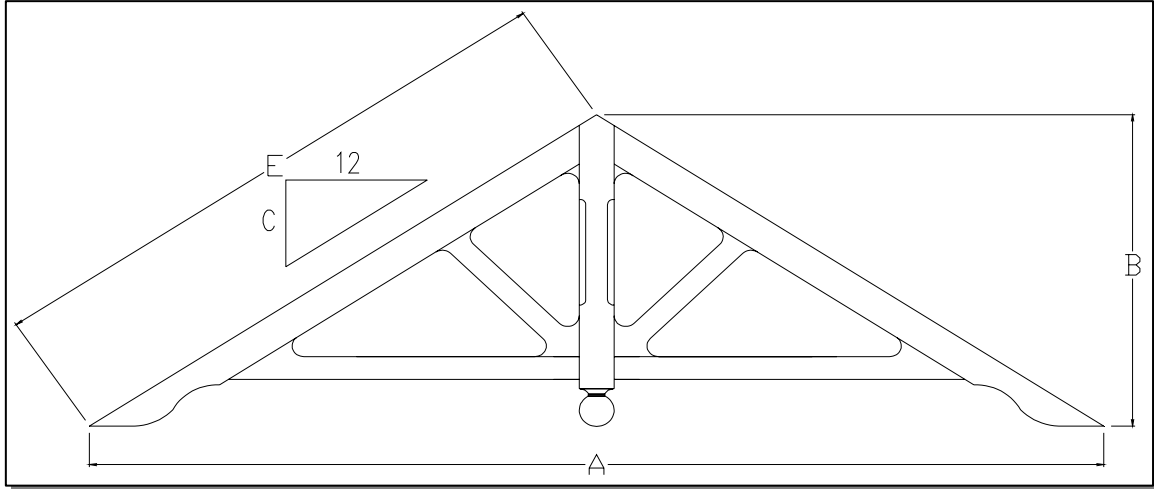
Special Request Notes: \_\_\_\_\_  
 \_\_\_\_\_  
 \_\_\_\_\_

For Office Use Only:	Order#: _____
Ship Via	Cust#: _____
<input type="checkbox"/> Common Carrier	DWG#: _____
<input type="checkbox"/> RBP Truck	



Quote Request Sheet

# Post & Ball Gable Decoration



A= \_\_\_\_\_ C= \_\_\_\_\_ E= \_\_\_\_\_

B= \_\_\_\_\_

Item #:PB \_\_\_\_\_

QTY: \_\_\_\_\_

Requested by: \_\_\_\_\_

Date: \_\_\_\_ / \_\_\_\_ / \_\_\_\_

Company Name: \_\_\_\_\_

Approved By: \_\_\_\_\_

Date Approved: \_\_\_\_\_

Special Request Notes: \_\_\_\_\_  
 \_\_\_\_\_  
 \_\_\_\_\_

For Office Use Only:	Order#: _____
Ship Via	Cust#: _____
<input type="checkbox"/> Common Carrier	DWG#: _____
<input type="checkbox"/> RBP Truck	