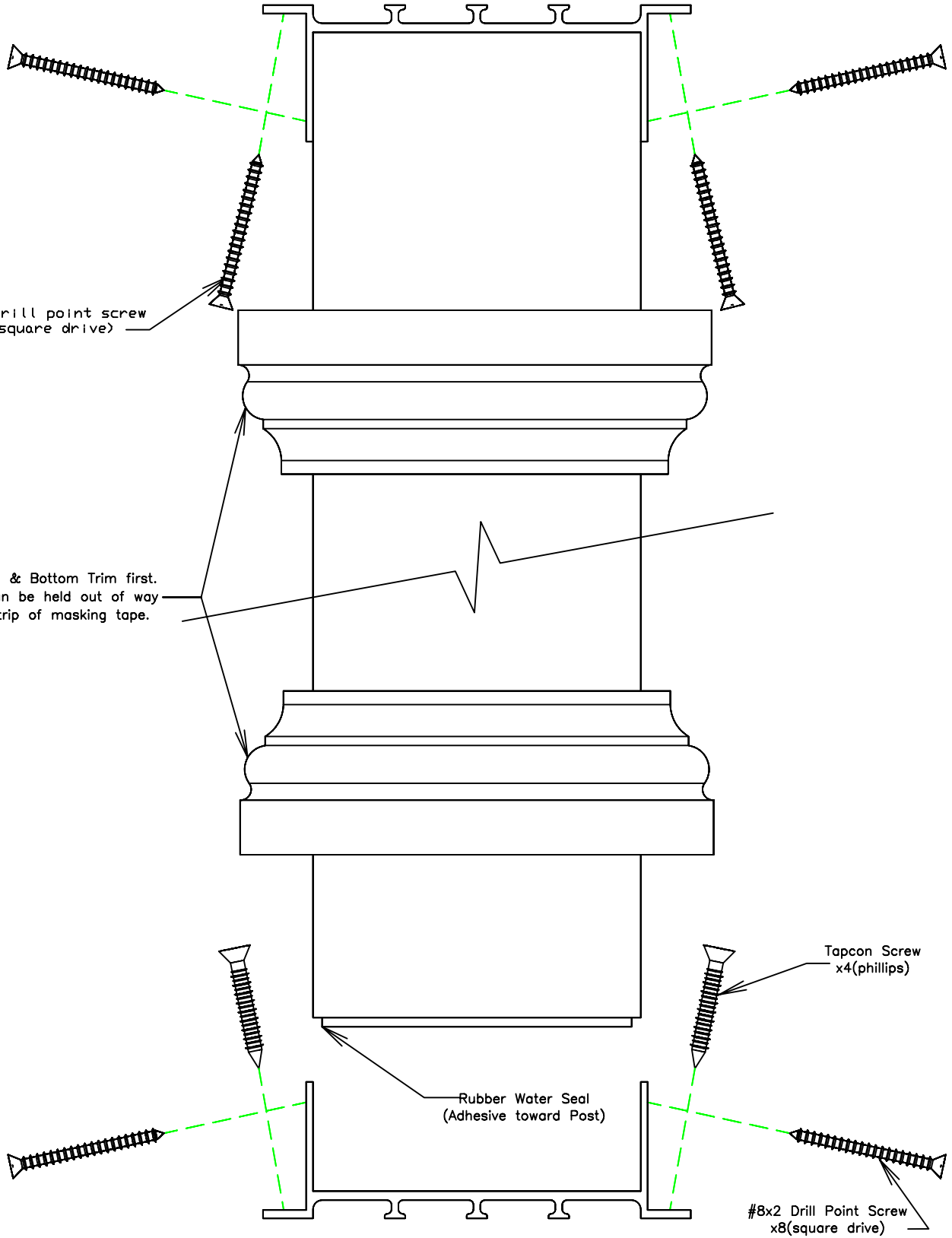


#12x2 Drill point screw
x4(square drive)

Install Top & Bottom Trim first.
Trim can be held out of way
with a strip of masking tape.



Tapcon Screw
x4(phillips)

Rubber Water Seal
(Adhesive toward Post)

#8x2 Drill Point Screw
x8(square drive)

